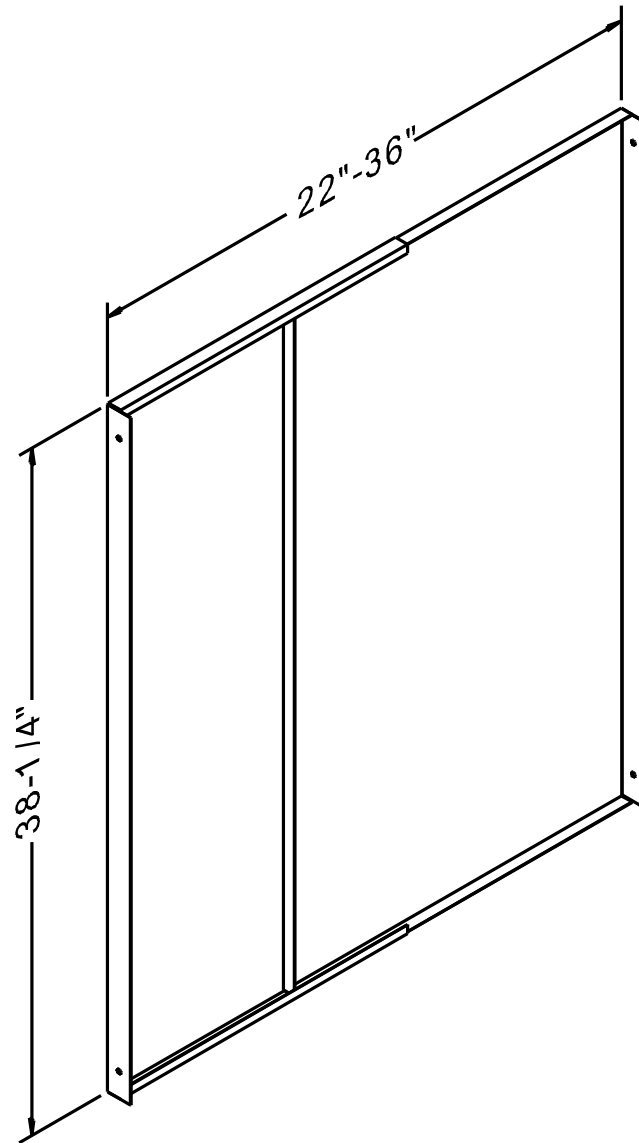


PART NO.:	TITLE:	USED BY:	SCALE: NTS	ORDER NO:	PACKAGE SHEET:	OF
SHEET: OF:	P- 28, ADJUSTABLE KNEESPACE PANEL	DATE:	DRN BY: Bolton T.	CUSTOMER: FENCO		
			DATE: 09/05/03			



Last Update: 12/12/2007 - Bolton T.


Fenco
 Undercounter & Forecounter Equipment
 P.O. BOX 1238 BURLINGTON, NJ 08016-0516
www.fencobankequipment.com