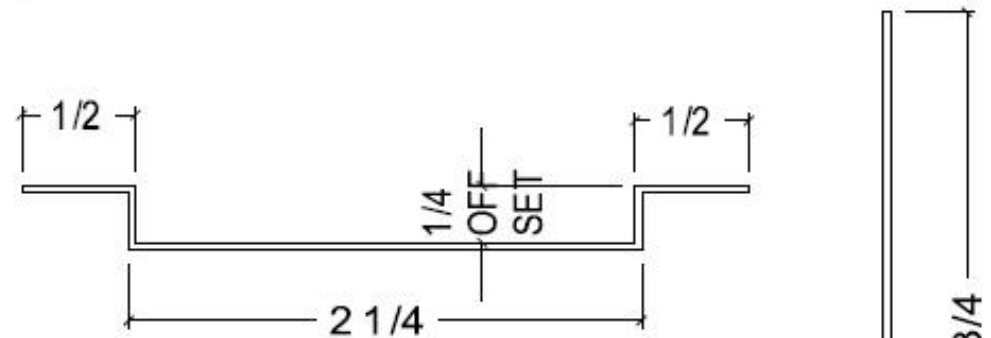
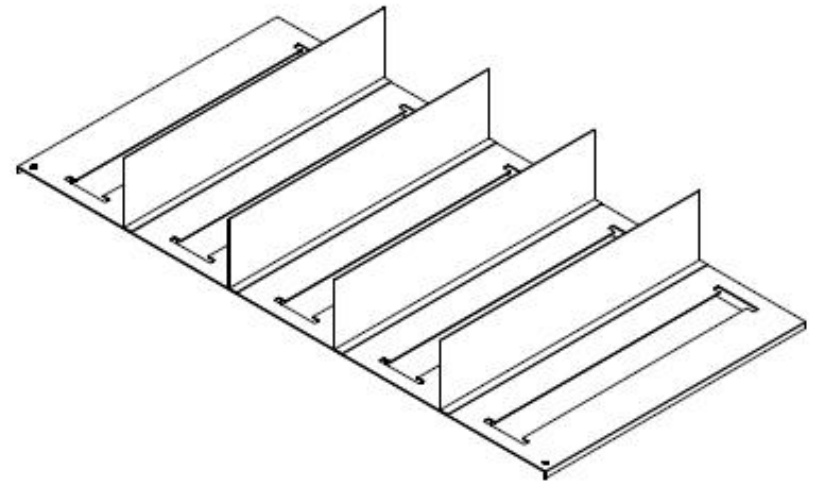
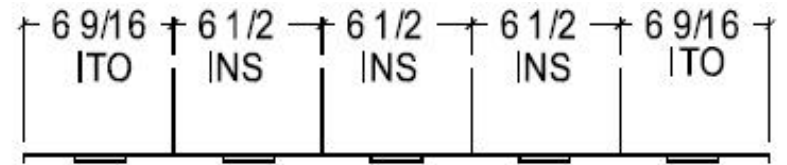


INSERT

BLANK: $33 \frac{5}{16}$ " x $16 \frac{1}{8}$ " x 22 GA.
 AMADA: $33 \frac{5}{16}$ " x $19 \frac{5}{8}$ "; @ 1/BL



FOLLOW CHANNEL

BLANK: $3 \frac{9}{16}$ " x $13 \frac{15}{16}$ " x 22 GA

DIVIDER

BLANK: $3 \frac{3}{16}$ " X $16 \frac{1}{8}$ " X 20 GA

