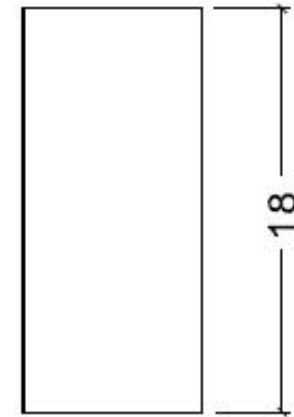
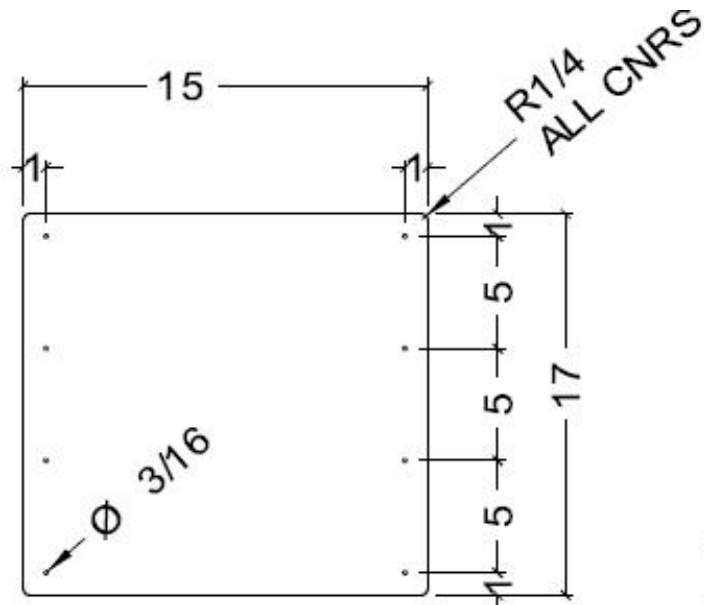
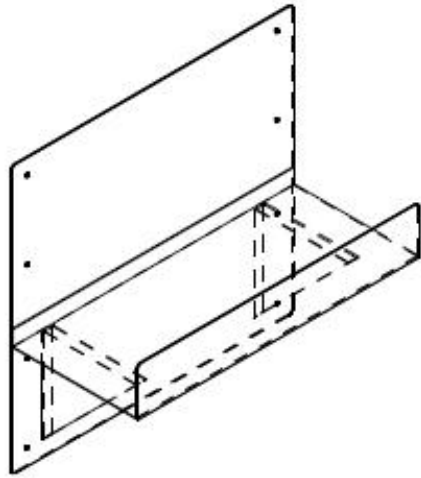


QTY: 4

DESIGNED TO BE
MOUNTED TO SIDE OF UCS
TELLER PEDETSAL



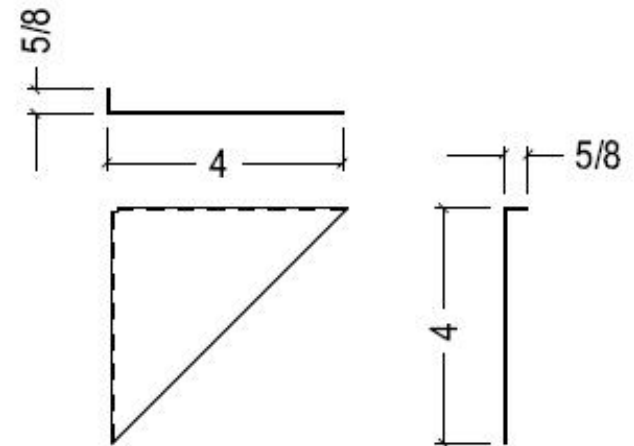
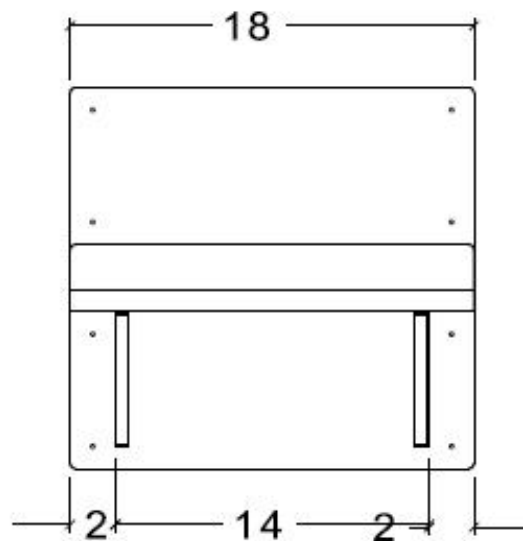
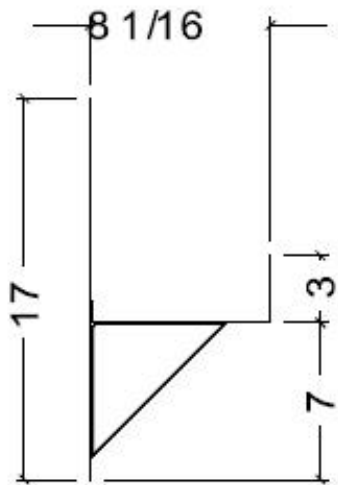
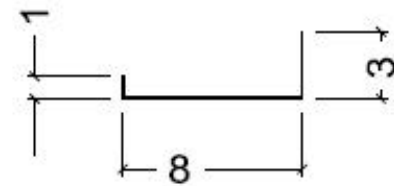
50561
51294-1

SIDE

BLANK: 17" x 15" x 16 GA.

BOTTOM

BLANK: 8-3/4" x 15" x 16 GA.



SUPPORT

BLANK: 4-1/2" x 4-1/2" x 16 GA (2/UNIT)